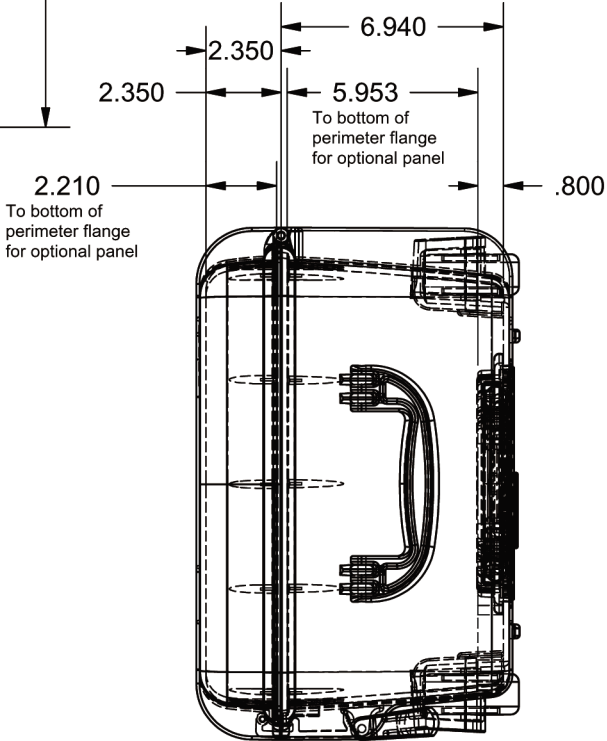
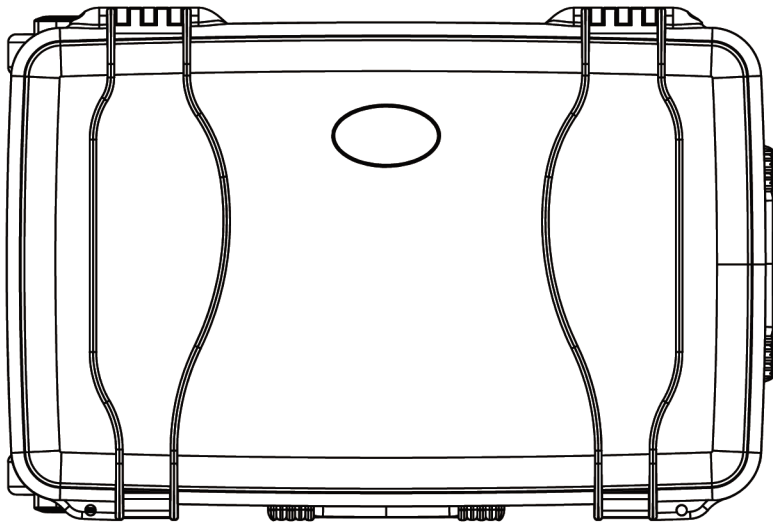
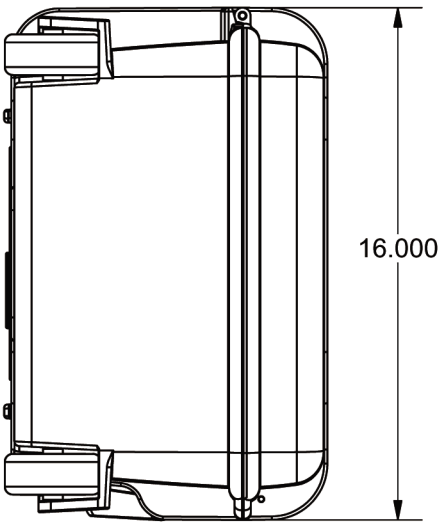
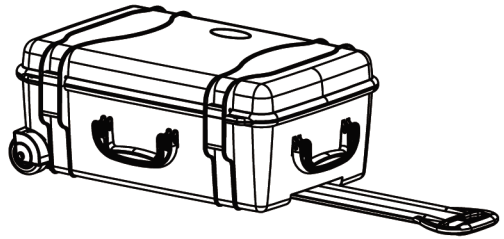
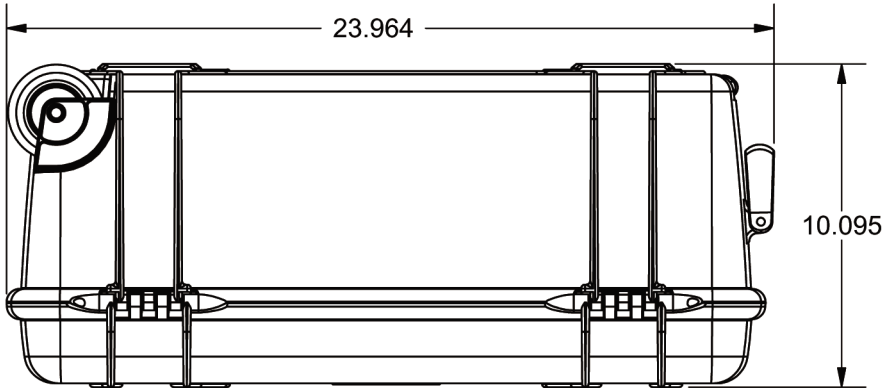
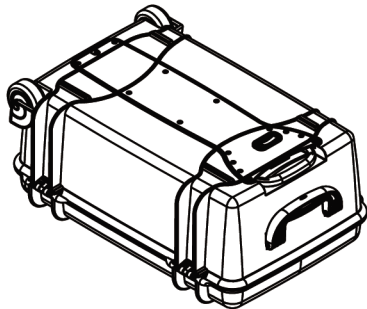
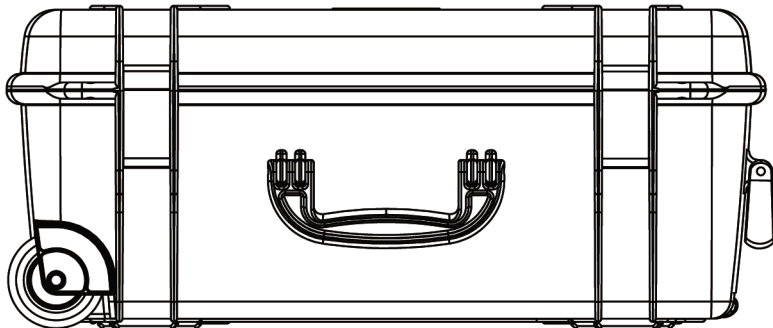
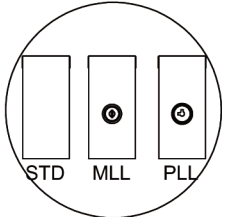


# SE-920



**Option Latches**



Note:  
Max. usable inside dimensions are:  
18.29" X 13.19" X 6.62" dim. are approx. (curved enclosure)

**CPS Partnership Ltd.**  
Ponswood Industrial Estate, Drury Lane,  
Hastings, TN38 9BA, UK  
Tel: +44 (0) 1424 442663 Fax: +44 (0) 1424 433835  
Website: [www.seahorsecases.eu](http://www.seahorsecases.eu)  
Email: [sales@seahorsecases.eu](mailto:sales@seahorsecases.eu)