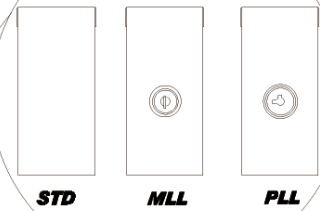
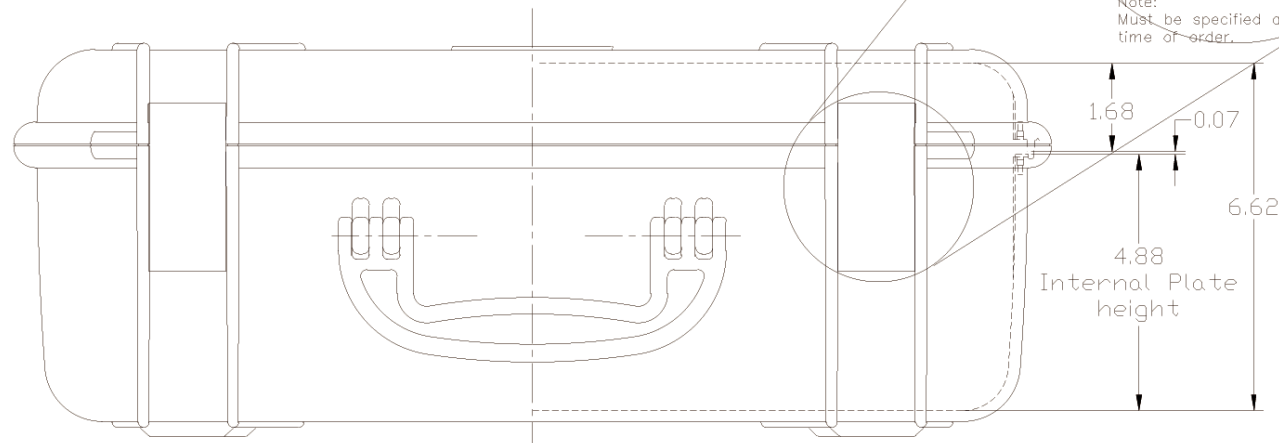


Options for latches



Note:
Must be specified at
time of order.



Note:
Max. usable inside dimensions are:
18.29" X 13.19" X 6.62" dim. are approx.
(curved enclosure)

CPS Partnership Ltd.

Ponswood Industrial Estate, Drury Lane,
Hastings, TN38 9BA, UK

Tel: +44 (0) 1424 442663 Fax: +44 (0) 1424 433835

Website: www.seahorsecases.eu

Email: sales@seahorsecases.eu