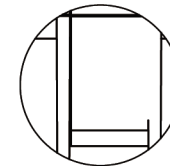
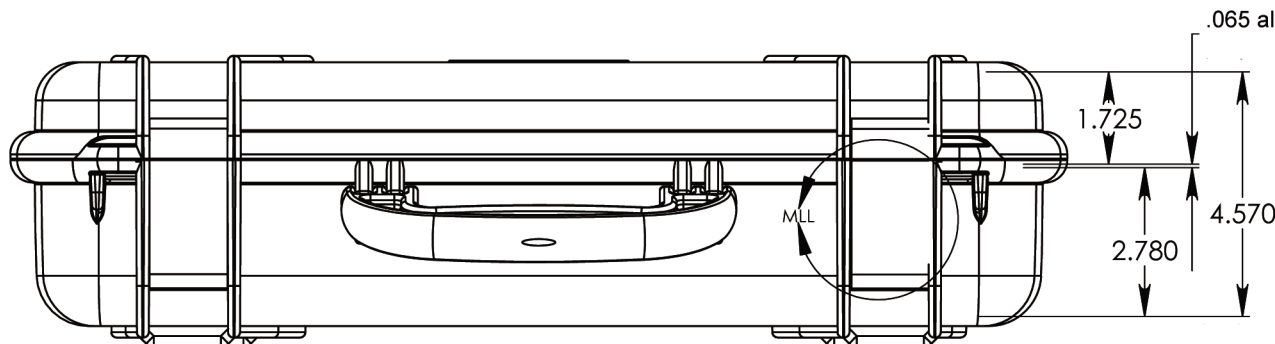


Metal  
Locking  
Latch  
P/n MLL



Note:  
Max. usable inside dimensions are:  
18.29" X 13.19" X 4.57"  
dim. are approx. (curved enclosure)



.065 aluminum plate (optional)

**CIPS Partnership Ltd.**

Ponswood Industrial Estate, Drury Lane,  
Hastings, TN38 9BA, UK

Tel: +44 (0) 1424 442663 Fax: +44 (0) 1424 433835

Website: [www.seahorsecases.eu](http://www.seahorsecases.eu)

Email: [sales@seahorsecases.eu](mailto:sales@seahorsecases.eu)